



RECEIVER HITCH KIT

Models
45-0425, 45-0432

NOTE: Ball hitch not included

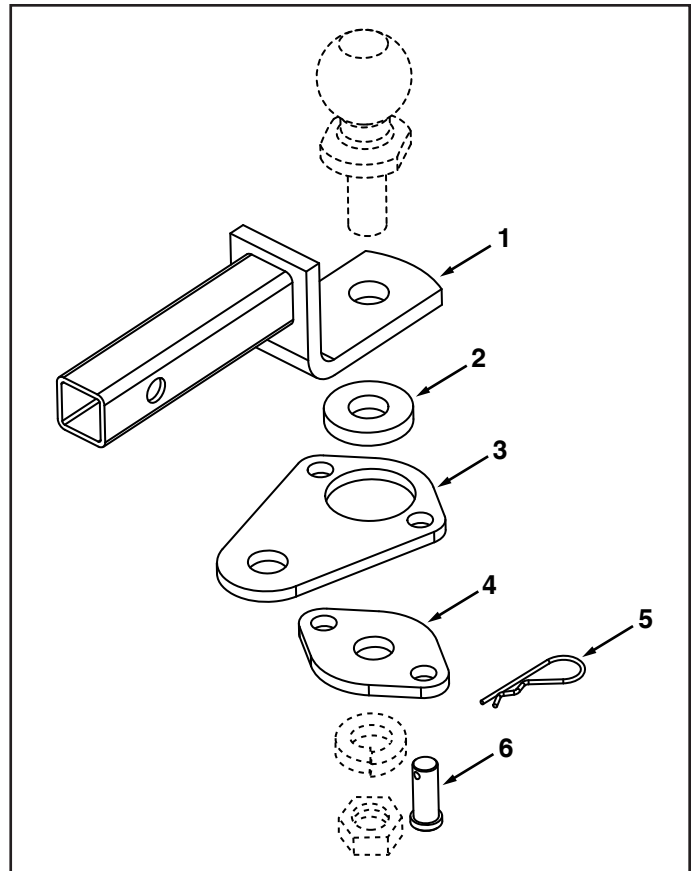
ASSEMBLY INSTRUCTIONS

1. Assemble draw bar assembly, spacer, hitch pin plate and keeper plate onto a ball hitch. Secure them in place with hardware provided with ball hitch. Refer to illustration.
2. Slide clevis pin through hitch pin plate and keeper plate and secure it with the hair cotter pin. Refer to illustration
3. Attach draw bar assembly to receiver hitch on your ATV.

USING THE HITCH PIN PLATE

The hitch pin plate can be used for attachments that do not need a ball hitch. To use the hitch pin plate for other attachments:

- Remove the hair cotter pin and clevis pin holding the hitch pin plate and keeper plate in position.
- Swivel the hitch pin plate around 180° so it faces out from the receiver hitch.
- Reassemble the clevis pin and hair cotter pin to the hitch pin plate and keeper plate.
- Secure attachment to hitch pin plate.



REF.	PART NO.	QTY	DESCRIPTION
1	65632	(1)	1-1/4" Draw Bar (45-0425)
	65895	(1)	2" Draw Bar (45-0432)
2	40264	1	Spacer
3	25977	1	Hitch Pin Plate
4	25976	1	Keeper Plate
5	43343	1	Hair Cotter Pin, 3/32" x 2-5/16"
6	44049	1	Clevis Pin, 1/2" x 1-1/4"
	40266	1	Owners Manual

SpeedPart *the fastest way to purchase parts* www.speedepart.com

REPAIR PARTS

Agri-Fab, Inc.
809 South Hamilton
Sullivan, IL. 61951
217-728-8388
www.agri-fab.com

PRINTED IN USA
© 2007 Agri-Fab, Inc.

FORM NO. 40266 (01/07)